



B O R S E L L I N O
P H O T O G R A P H Y

2010 price list

Prices honored from September 1 2009 - December 31, 2010

Portrait/Engagement Session

Price - \$300

Portrait session includes the following:

- Consultation before the shoot
- 1 hour of photography
- All images colour corrected
- screen-resolution (72dpi) images to share with family and friends
- 2 images digitally edited and corrected for your print package
- 2-pose Print Package *see below for details*
- DVD-ROM with session images
- Framed 5x7 (upgrade to an 8X10 for \$20)
- Online photo gallery to pick your 2 images for prints

Travel - Travelling outside of the greater Edmonton is calculated at time of booking. More than 20km from Edmonton city center would be considered out-of-town travel (fuel charges and time will be estimated electronically).

Cancellation - In the event of bad weather for an outdoor location, we will contact you 2 hours before the shoot to reschedule. No additional charges will apply.

A non-refundable retainer of \$100 will be deducted from the session to secure your booking. In the event of a cancellation, an additional \$100 will be required before a new date is secured.

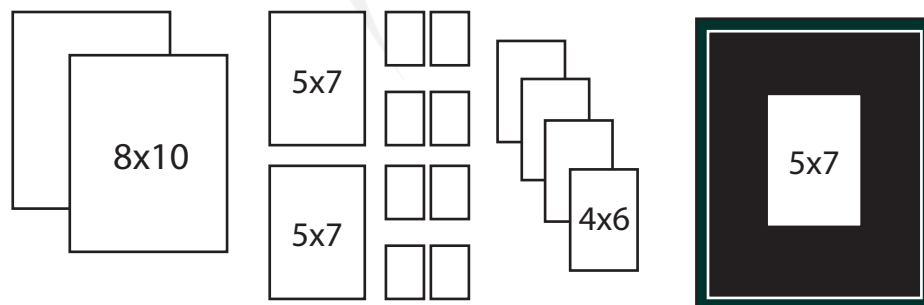
Payment - Payment for session must be made in full, immediately following the session.

Additional editing \$100 per hour

Additional photography \$125 per hour (above the included hour)

Hi resolution digital negative disc \$200.00

Included Print Package - Pick 1 or 2 poses from session



Event Photography

Our event photography is typically quoted event by event, use the following as a base for budgeting purposes only. Please feel free to send us an email (info@borsellinophoto.com) with a detailed description and all relative information and we will send you a formal quote. Be sure to include the date and time, the address of the event, type of event and any expectations.

Price - \$125/hr.

Our event photography includes:

- 1 photographer (additional photographer subject to availability)
- hourly billing of services (\$125 per hour, minimum 2 hours)
- all images colour-corrected and delivered, on disk, within 10 days

note: New client - \$200 retainer - Net 30 day terms for repeat clients

Travel - Travelling outside of the greater Edmonton is calculated at time of booking. More than 20km from Edmonton city center would be considered out of town travel (fuel charges and time will estimated electronically)

Cancellation - A non-refundable retainer of \$100 will billed if event is cancelled less than 7 days before the event.

Payment - Payment for event must be made in full, immediately following the photo session.

Additional editing \$100 per hour

Additional photography \$125 per hour (above the included hour)

Weddings

Wedding Package A - \$2500

- engagement photo session (includes screen-resolution images on disk)
- leather bi-fold containing two 8x8 engagement pictures
- 2 photographers on wedding day
- 3 locations (Example: Church, 1 Portrait location, and Reception)
- photo retouching
- proof book (4x6 printed proofs)
- disk containing images of wedding day (screen-resolution)
- online photo gallery of selected images from your wedding day

Wedding Package B - \$3000

- engagement photo session (includes screen-resolution images on disk)
- leather bi-fold containing two 8x8 engagement pictures
- 2 photographers on wedding day
- 4 locations (Example: Getting ready, Church, 1 Portrait location, Reception)
- photo retouching
- proof book (4x6 printed proofs)
- disk containing images of wedding day (screen-resolution)
- online photo gallery of selected images from your wedding day

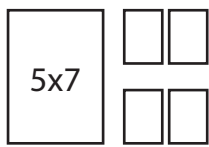
Wedding Package C - \$3500

- engagement photo session (includes screen-resolution images on disk)
- leather bi-fold containing two 8x8 engagement pictures
- 2 photographers on wedding day
- all locations (from early morning to the end of the day, the whole "sha-bang"!)
- remote studio available (lights and backdrop - great for on-location portraits)
- photo retouching
- proof book (4x6 printed proofs), maximum 400 images
- disk containing images of wedding day (high-resolution, ready for printing)
- online photo gallery of selected images from your wedding day
- free thank-you card design and \$25 credit towards thank-you card printing (note: for card stock prints only)
- 8X8, ten-page leather album, full page images (no text)

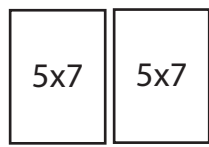
NOTE: A non-refundable deposit of \$500.00 is required to reserve Borsellino Photography for your wedding day. Final payment of the balance owing is due no less than fourteen days before the wedding date.

Travelling outside of the greater Edmonton area is calculated at time of booking. More than 20km from Edmonton city center would be considered out-of-town travel (fuel charges and time will be estimated electronically). Please contact us at info@borsellinophoto.com for more information.

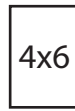
Prints



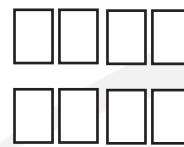
\$20



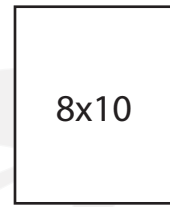
\$20



\$8



\$15



\$25

Canvases

Display your memories with a stunning wall canvas! Canvases are UV-protected and moisture-resistant, and are available as “gallery wraps”, or in a black “floating frame”. The most popular sizes are listed on the following page, however custom sizes are available as well.

gallery wrap



thin (0.75")

thick (1.5")

chunk (2.5")

floating frame



Canvas Sizes and Prices



Thin (.75")
Gallery Wrap

Thick (1.5")
Gallery Wrap

Chunk (2.5")
Gallery Wrap

Black
Floating Frame

8" x 10"	\$160.00	\$190.00	\$220.00	\$240.00
11" x 14"	\$170.00	\$210.00	\$240.00	\$270.00
12" x 16"	\$180.00	\$220.00	\$250.00	\$290.00
16" x 16"	\$190.00	\$230.00	\$270.00	\$310.00
16" x 20"	\$210.00	\$240.00	\$290.00	\$340.00
18" x 24"	\$230.00	\$270.00	\$330.00	\$380.00
20" x 20"	\$220.00	\$260.00	\$320.00	\$360.00
20" x 24"	\$240.00	\$280.00	\$340.00	\$390.00
20" x 30"	\$260.00	\$310.00	\$380.00	\$430.00
24" x 36"	\$320.00	\$370.00	\$460.00	\$510.00
30" x 40"	\$390.00	\$450.00	\$570.00	\$610.00
36" x 48"	\$500.00	\$570.00	\$730.00	\$760.00
40" x 60"	\$640.00	\$720.00	\$940.00	\$950.00

note: additional sizes available upon request

